



Fluorescent Manipulator



The GreenEgg™ is a Class I medical device used for manipulation and visualization of tissue and anatomical structures during minimally invasive urologic, gynecologic and colorectal surgeries.

The GreenEgg™ is used in the same manner as a traditional manipulator, preserving the surgical flow.

Incorporating EndoGlow's Tissue Reveal Technology™, the GreenEgg™ fluoresces under near infrared light commonly used in surgical systems (for example the da Vinci surgical robot from Intuitive Surgical.)

Through trans-illuminating tissue, the GreenEgg™ provides surgeons with enhanced visual information to make more informed surgical decisions. This amplified imaging allows surgeons to obtain information on tissue depth, tissue quality and subsurface pathology.

The GreenEgg™ provides hassle free fluorescence with the following features:



Power Free Fluorescence

Without power cords or batteries, the GreenEgg™ fluoresces when energized by surgical imaging systems that have fluorescence imaging modes (NIR cameras and illumination).



Injection Free Fluorescence

The GreenEgg™ provides localized fluorescence without the need to mix or inject ICG.



Injection Compatible Fluorescence

The GreenEgg™ can provide fluorescence by itself and can also be used in conjunction with intravenous ICG and other systemic dyes.



Fluorescence Without Time Limits

The GreenEgg™ provides fluorescence throughout the surgery without time restrictions. *(Injected ICG is only effective within a short time window before it saturates the image).*



Iodine Free Fluorescence

The GreenEgg™ provides fluorescence without the use of iodine and can be used in iodine allergic patients.

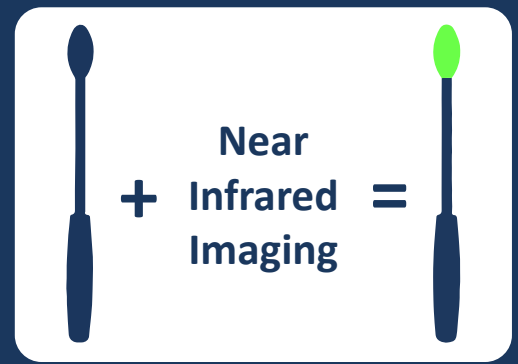


Individually Sterilized

The GreenEgg™ is individually packaged and sterilized, making the GreenEgg™ available on demand with maximum repeatable fluorescence each time.

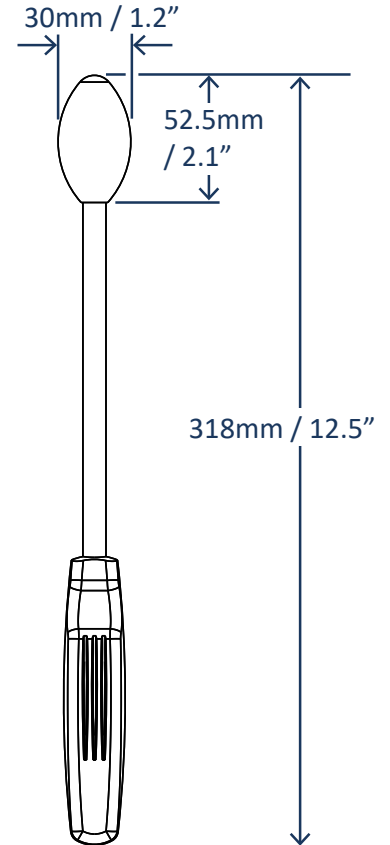


The GreenEgg™ functions as a vaginal or rectal manipulator during pelvic surgeries. Incorporating Tissue Reveal Technology™, the GreenEgg™ has the added benefit of providing fluorescence to trans-illuminate the tissue when imaged by minimally invasive near infrared camera-based systems*.



**Examples of compatible systems include: Intuitive Surgical da Vinci surgical robot and Karl Storz IMAGE1 S™ endoscope. Contact EndoGlow to learn about other compatible systems.*

Part Number	EP1000-30
Device ID / GTIN	0860001161601
Brand	GreenEgg™
Manufacturer	EndoGlow
Country of Origin	USA
Application	Vaginal / Rectal Manipulator
Color	White
Material	Stainless Steel & ABS
Size	30mm diameter, 318mm length
Sterility	Ethylene Oxide (EtO)
Type	Manipulator
Usage	Single Use
Power Requirements	None. The GreenEgg™ does not require batteries or external power
Illumination Compatibility	The GreenEgg™ fluoresces when excited by near infra red illumination sources (740nm - 806nm)
Fluorescence Wavelength (output)	The GreenEgg™ fluoresces from 810nm - 900nm



EndoGlow offers demonstrations and hands-on training for all of our products. For product information and availability please contact your EndoGlow representative.



40 Franklin St.
Rochester, NY 14604

+1 315-273-0005

support@endoglow.com

www.EndoGlow.com