



Fluorescent Manipulator



The GreenEgg™ is a Class I medical device used for manipulation and visualization of tissue and anatomical structures during minimally invasive urologic, gynecologic and colorectal surgeries.

The GreenEgg™ is used in the same manner as a traditional manipulator, preserving the surgical flow.

Incorporating EndoGlow's Tissue Reveal Technology™, the GreenEgg™ fluoresces under near infrared light commonly used in laparoscopic and robotic surgical systems (for example the daVinci surgical robot from Intuitive Surgical.)

Through trans-illuminating tissue, the GreenEgg™ provides surgeons with enhanced visual information to make more informed surgical decisions. This amplified imaging allows surgeons to obtain information on subsurface pathology, anatomical borders, relative tissue depth to confirm overall tissue quality.

The GreenEgg™ provides hassle free fluorescence with the following features:



Power Free Fluorescence

Without power cords or batteries, the GreenEgg™ fluoresces when energized by surgical imaging systems that have fluorescence imaging modes (NIR cameras and illumination).



Injection Free Fluorescence

The GreenEgg™ provides localized fluorescence without the need to mix or inject ICG.



Injection Compatible Fluorescence

The GreenEgg™ can provide fluorescence by itself and can also be used in conjunction with intravenous ICG and other systemic dyes.



Fluorescence Without Time Limits

The GreenEgg™ provides fluorescence throughout the surgery without time restrictions. *(Injected ICG is only effective within a short time window before it saturates the image).*



Iodine Free Fluorescence

The GreenEgg™ provides fluorescence without the use of iodine and can be used in iodine allergic patients.

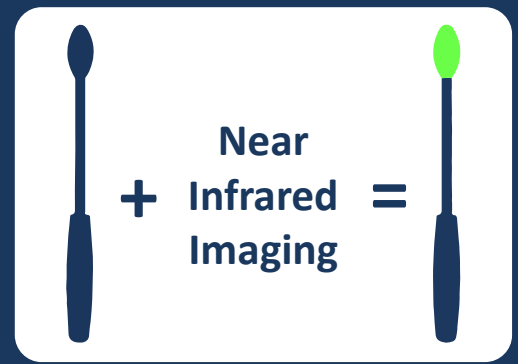


Individually Sterilized

The GreenEgg™ is individually packaged and sterilized, making the GreenEgg™ available on demand with maximum repeatable fluorescence each time.

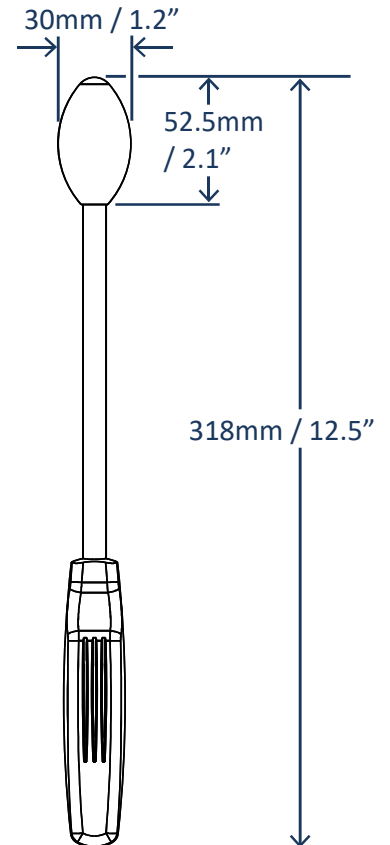


The GreenEgg™ functions as a vaginal or rectal manipulator during pelvic surgeries. Incorporating Tissue Reveal Technology™, the GreenEgg™ has the added benefit of providing fluorescence to trans-illuminate the tissue when imaged by minimally invasive near infrared camera-based systems*.



**Examples of compatible systems include: Intuitive Surgical da Vinci surgical robot and Karl Storz IMAGE1 S™ endoscope. Contact EndoGlow to learn about other compatible systems.*

| | |
|----------------------------------|--|
| Part Number | EP1000-30 |
| Device ID / GTIN | 0860001161601 |
| Brand | GreenEgg™ |
| Manufacturer | EndoGlow |
| Country of Origin | USA |
| Application | Vaginal / Rectal Manipulator |
| Color | White |
| Material | Stainless Steel & ABS |
| Size | 30mm diameter, 318mm length |
| Sterility | Ethylene Oxide (EtO) |
| Type | Manipulator |
| Usage | Single Use |
| Power Requirements | None. The GreenEgg™ does not require batteries or external power |
| Illumination Compatibility | The GreenEgg™ fluoresces when excited by near infra red illumination sources (740nm - 806nm) |
| Fluorescence Wavelength (output) | The GreenEgg™ fluoresces from 810nm - 900nm |



EndoGlow offers demonstrations and hands-on training for all of our products. For product information and availability please contact your EndoGlow representative.



40 Franklin St.
Rochester, NY 14604

+1 315-273-0005

support@endoglow.com

www.EndoGlow.com